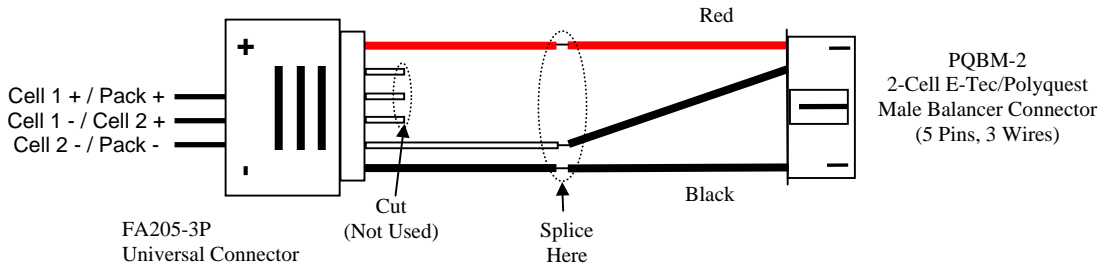


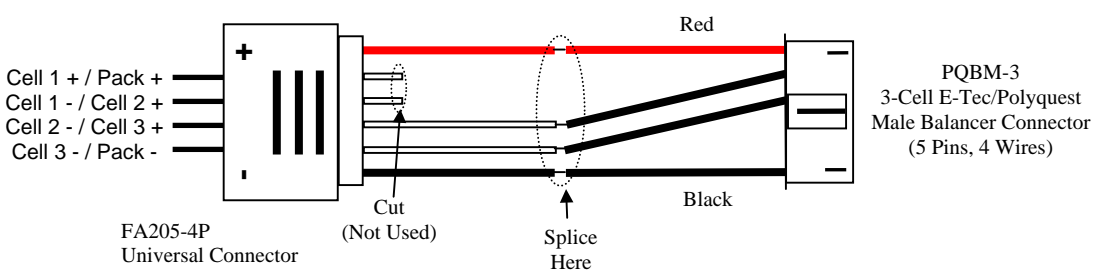
# Adapting FullyMax, E-Sky, Dynam, Align, ThunderPower, etc. Batteries to Sky-Holic or Apache Balancers Using FA205 Universal Connectors

Use 2.0mm pitch FA205 connectors for ThunderPower, and 2.5mm pitch FA205 connectors for FullyMax/E-Sky/Dynam/Align and other Chinese batteries. Insulate all solder connections with heat-shrink tubing.

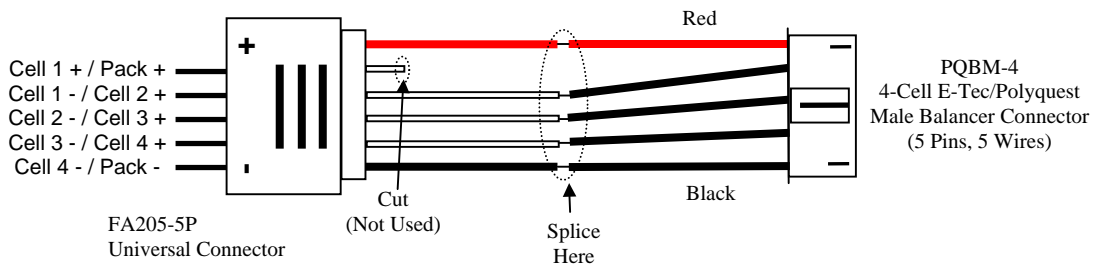
## 2- Cell (7.4V) Pack Adapter



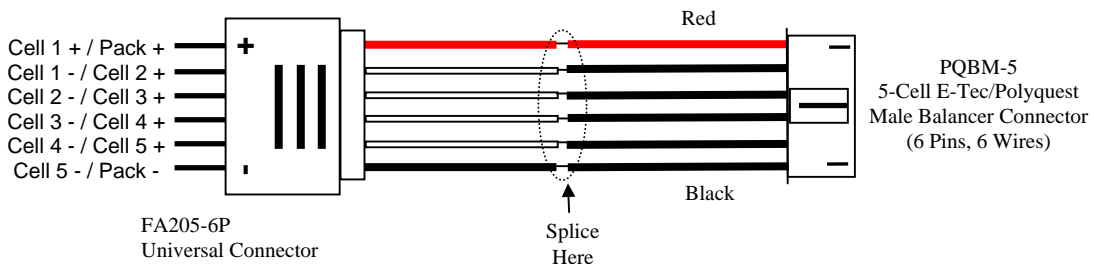
## 3- Cell (11.1V) Pack Adapter



## 4- Cell (14.8V) Pack Adapter

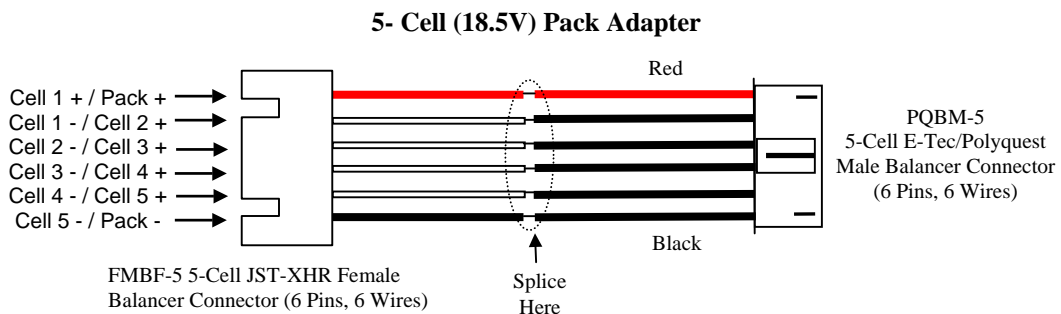
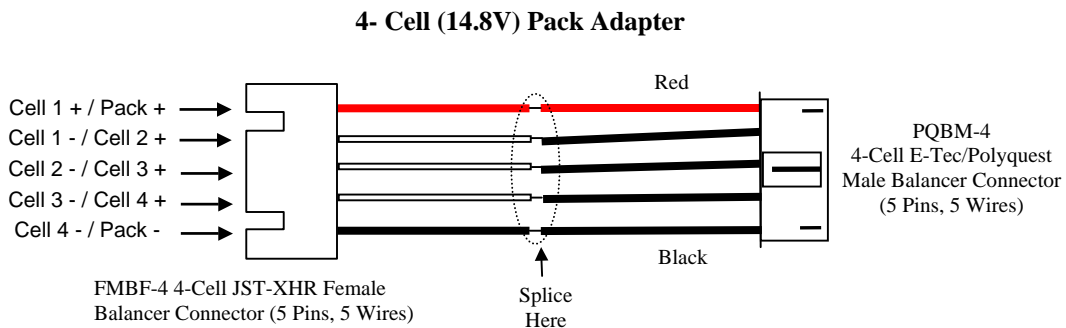
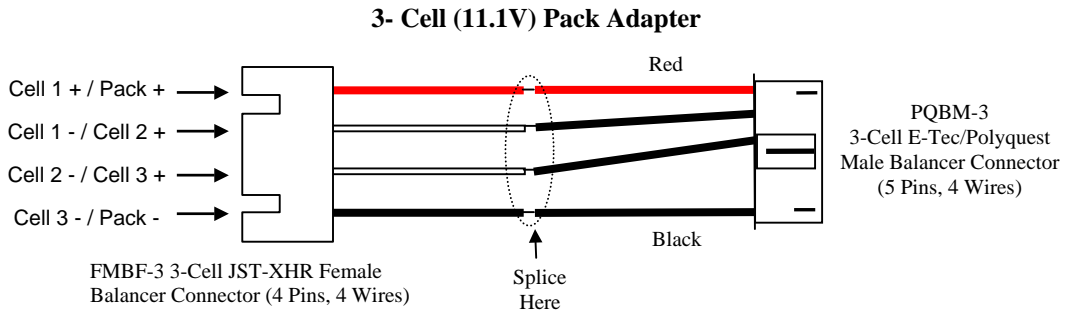
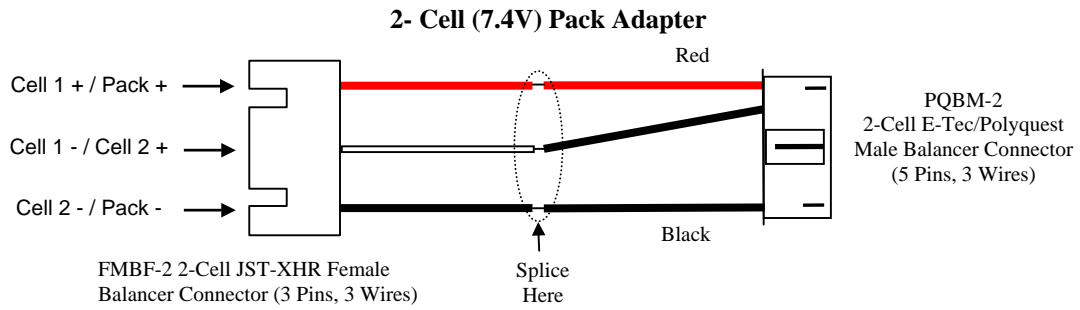


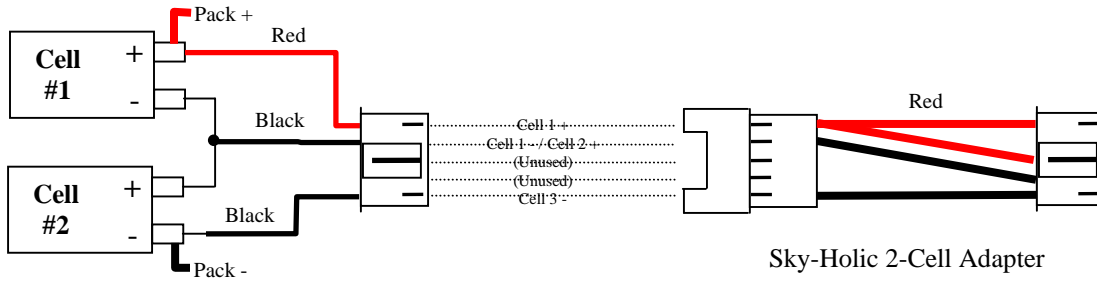
## 5- Cell (18.5V) Pack Adapter



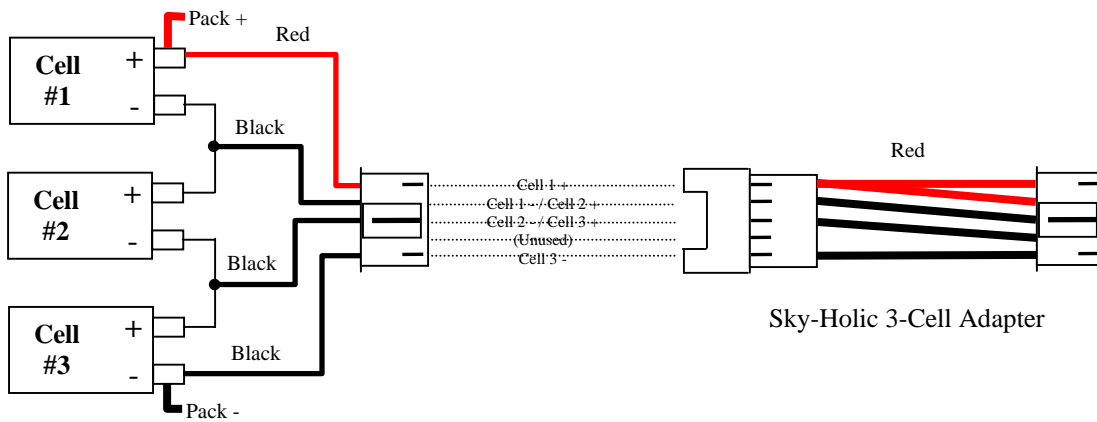
# Adapting FullyMax, E-Sky, Dynam, Align, ThunderPower, etc. Batteries to Sky-Holic or Apache Balancers Using FMBF JST-XHR Connectors

Use the FMBF adapters for E-Sky/Dynam/Align, most FullyMax, and other Chinese batteries. Insulate all solder connections with heat-shrink tubing.

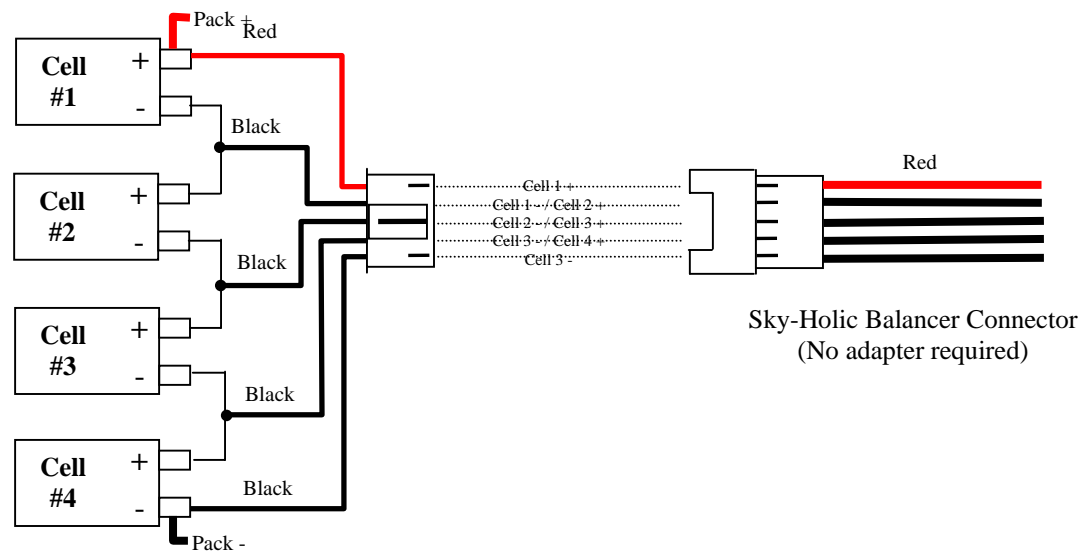




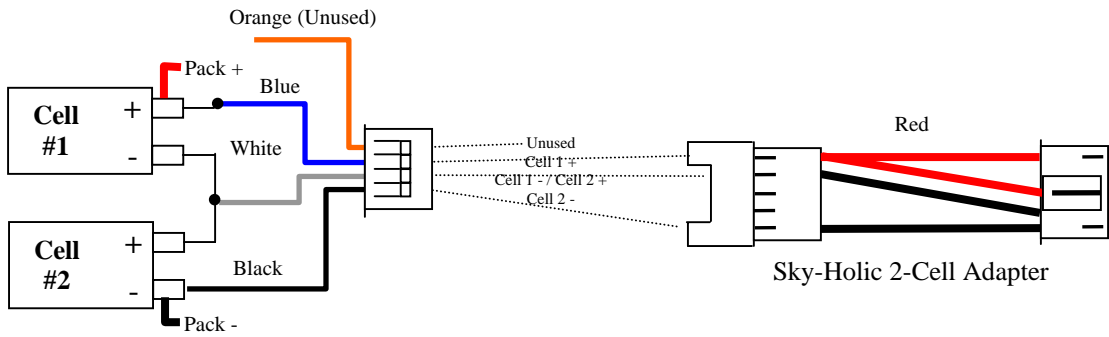
2S Pack Wiring Diagram For Polyquest/E-Tec/Apache Balancing Connector



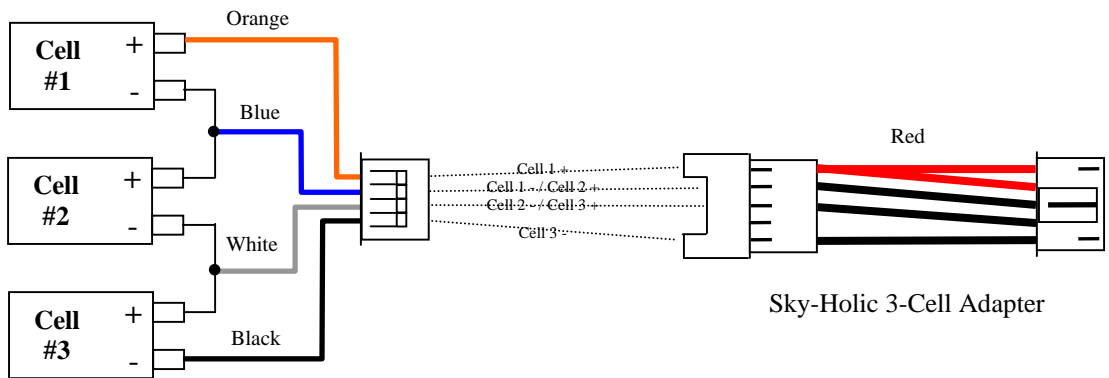
3S Pack Wiring Diagram For Polyquest/E-Tec/Apache Balancing Connector



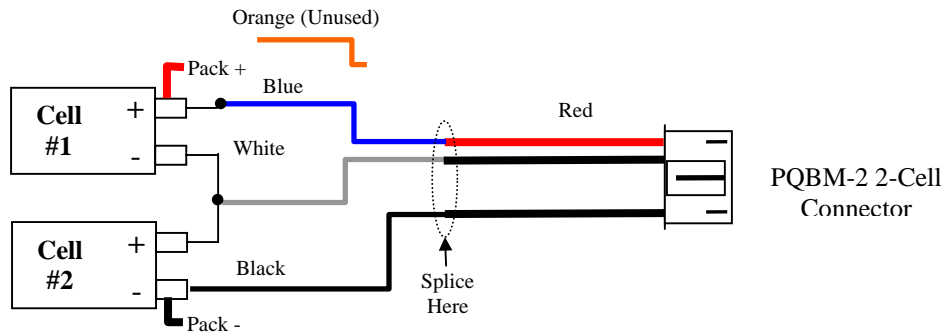
4S Pack Wiring Diagram For Polyquest/E-Tec/Apache Balancing Connector



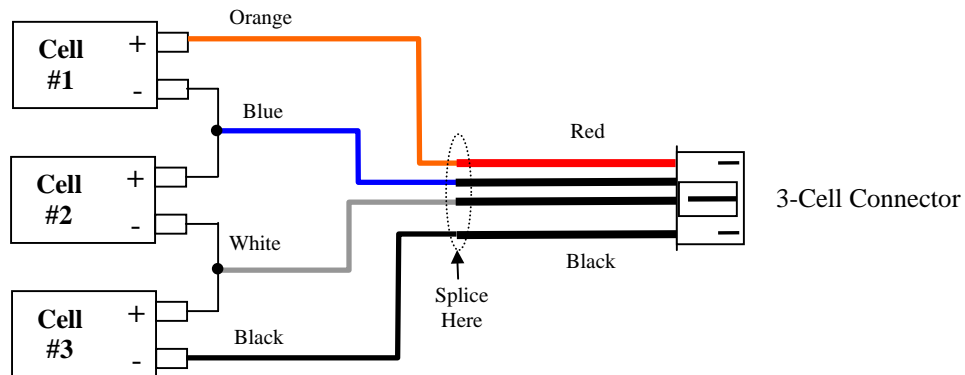
2S Pack Wiring Diagram For Thunder Power Balancing Connector Using an Adapter



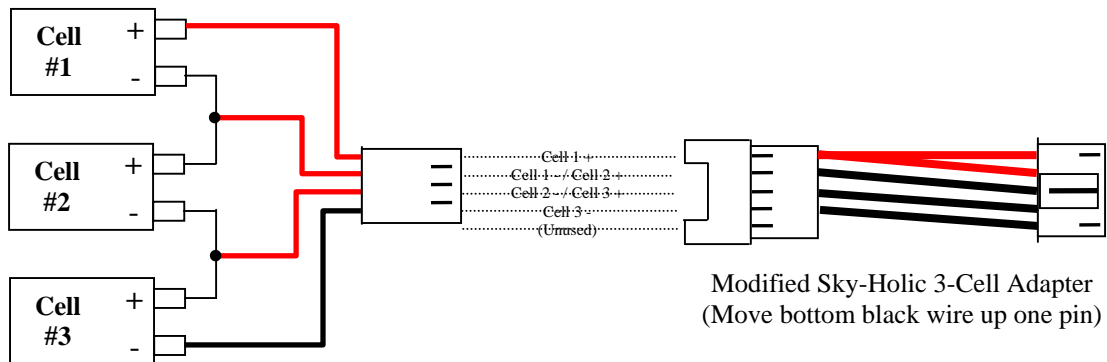
3S Pack Wiring Diagram For Thunder Power Balancing Connector Using An Adapter



2S Pack Wiring Diagram For Replacing Thunder Power Connector With Polyquest/E-Tec Connector



3S Pack Wiring Diagram For Replacing Thunder Power Connector With Polyquest/E-Tec Connector



3S Pack Wiring Diagram With Flightpower / Vampower Balancing Connector